



Leica Rugby 640

Quick Start

Version 1.0

- when it has to be **right**



	0 rps, 2 rps, 5 rps, 10 rps	
	10°, 45°, 90°	

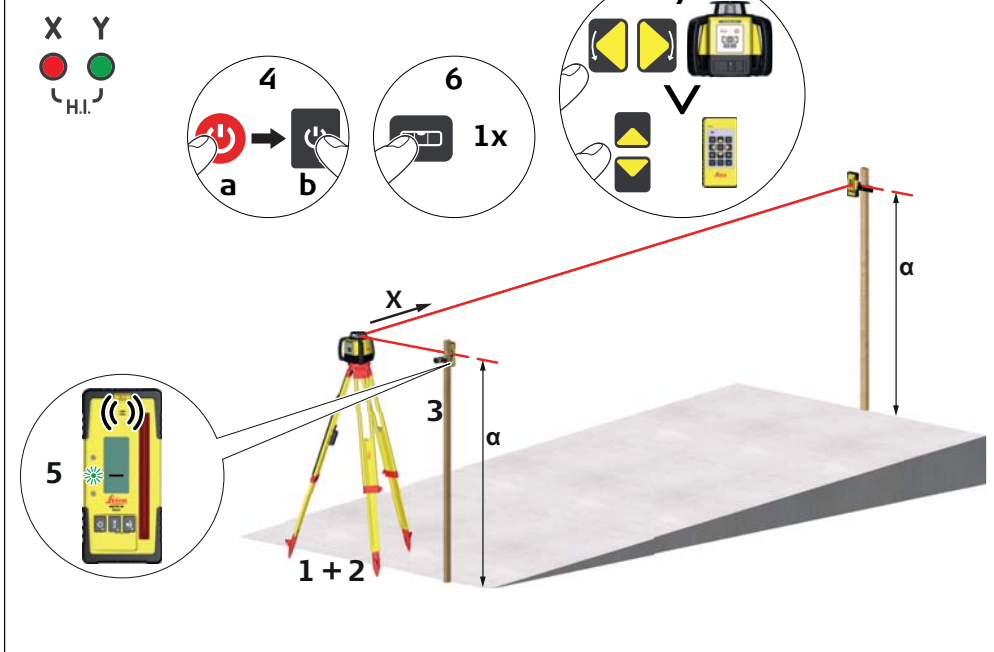
<p>Li-Ion</p>	<p>Alkaline 4x D-cell (LR20)</p>	<p>Alkaline 4x AA-cell (LR6)</p>
	<p>RC400 Remote Control</p> <p>Pairing</p> <p>① 5 s (H.I.)</p> <p>② 5 s (H.I.)</p>	<p>Alkaline 9V Block</p>

<p>Rod Eye 140, Classic</p>		<p>0/1</p>
<p>Rod Eye Basic</p>		<p>0/1</p>
		<p>±1 mm, ±2 mm, ±3 mm</p>
		<p>Speaker icon</p>
		<p>±1 mm, ±3 mm</p>
		<p>Speaker icon</p>

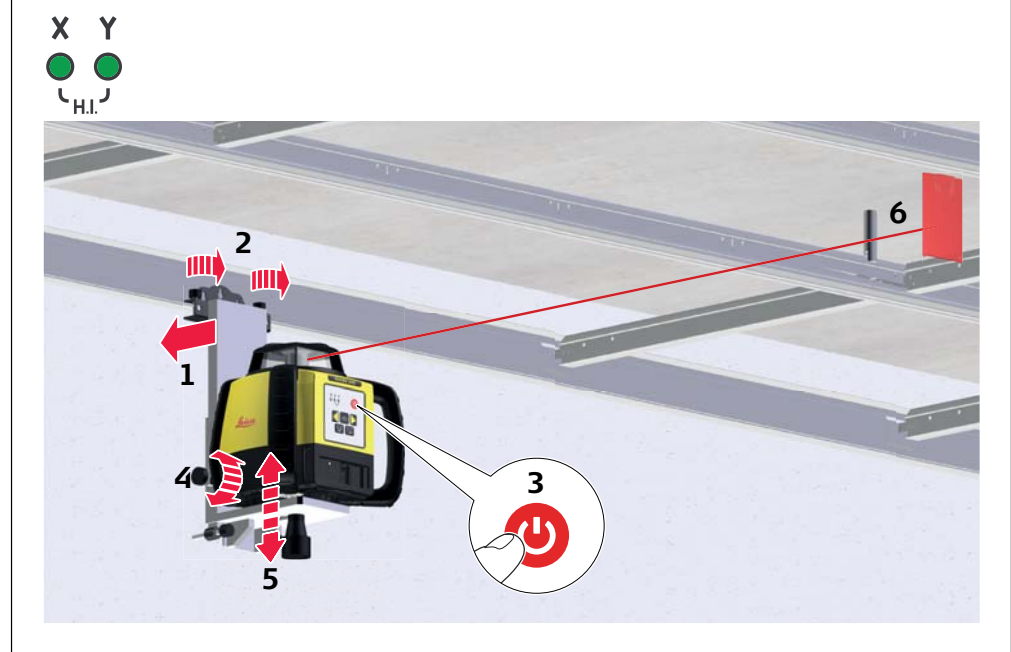
Setting Forms

Checking Grades

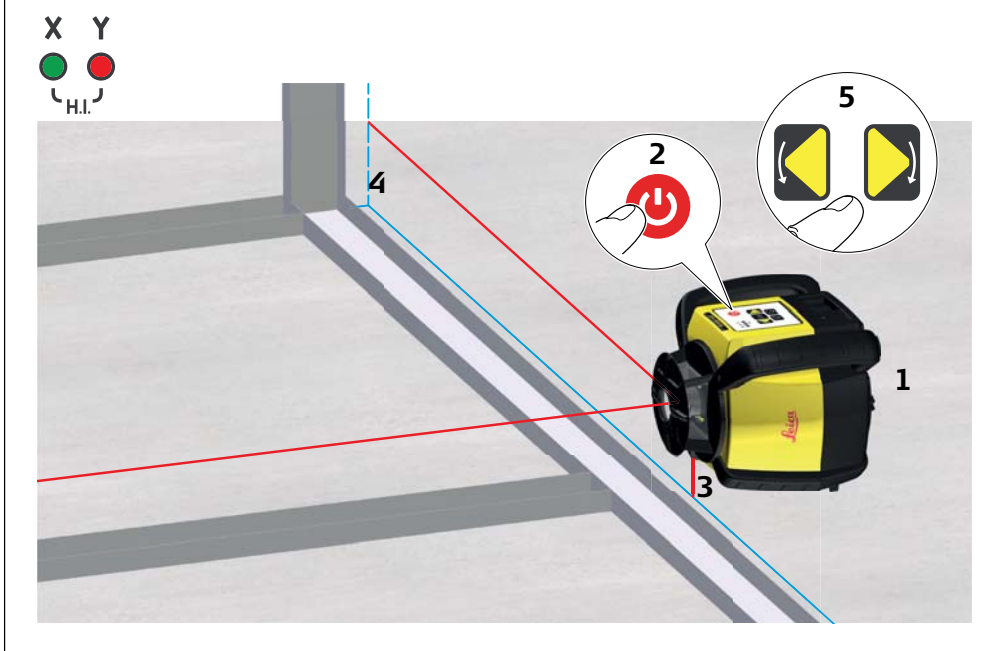
Manual Grading



Suspended Ceilings



Layout



Laser class 2 product in accordance with IEC 60825-1

Leica Geosystems AG
 Heinrich-Wild-Strasse
 CH-9435 Heerbrugg
 Switzerland
 Phone +41 71 727 31 31
www.leica-geosystems.com

- when it has to be **right**

Leica
 Geosystems

799992-1.0.0
 Original text
 © 2013 Leica Geosystems AG, Heerbrugg, Switzerland